

TYPE 3/3R ENCLOSURES



Screw Cover Enclosures	74
Small Continuous Hinge Cover Enclosures	76
Large Continuous Hinge Cover Enclosures	78
Double-Door Enclosures	80
Hinge Cover Enclosures	82
Type 3 Screw Cover Enclosures	84
Type 3 Gasketed Screw Cover Enclosures	86
Telephone Termination Cabinets	88, 90, 92

Type 3/3R Enclosures

Type 3R Screw Cover Enclosures - Painted & Galvanized Data Sheet

Type 3/3R Enclosures



Construction

- Enclosure and cover are fabricated from code gauge galvaneal steel for painted or galvanized steel, (see table)
- Enclosure body has embossed mounting holes on the back
- Available with or without knockouts on the bottom end of enclosures less than 30 inches wide
- Cover is held secure by sliding it under the top end flange and fastening it with plated screws on the bottom end flange, (larger sizes use two studs and wing nuts)
- #10-32 tapped hole provision for optional ground lug kit

Finish

- Wash and phosphate undercoat
- ANSI 61 gray acrylic electrocoat finish

Accessories

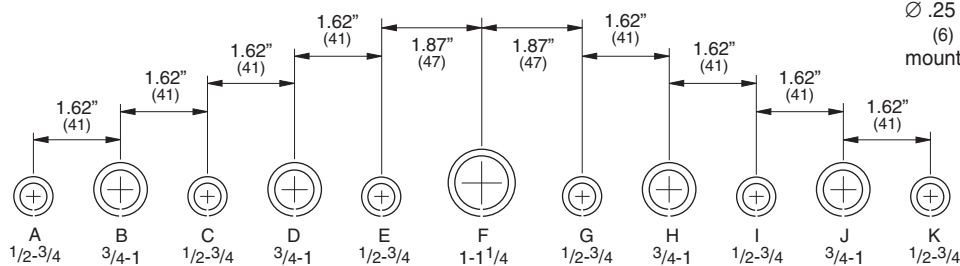
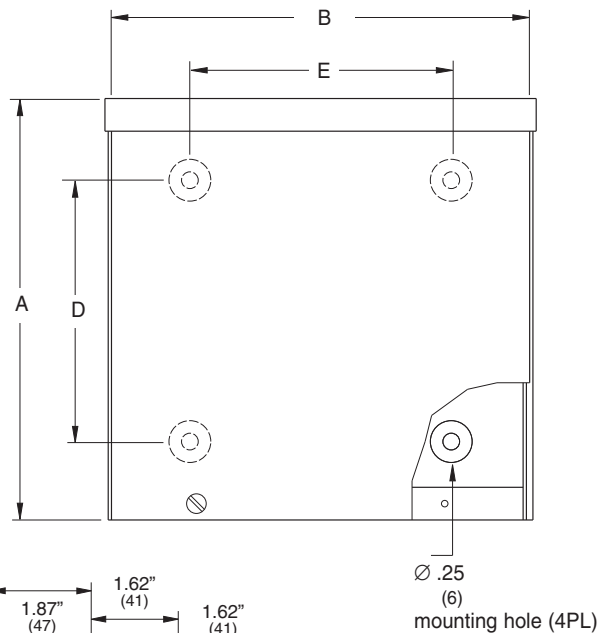
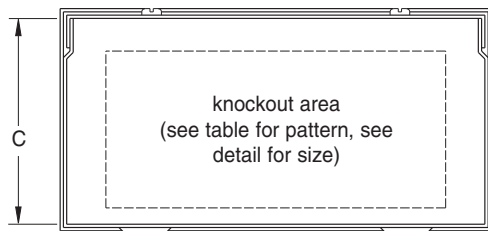
- Ground lug kit
- Touch-up paint
- See Accessories section

Application

- Used as wiring boxes, junction and pull boxes
- Protects against falling rain, sleet and external ice formation

Standards

- UL 50 listed, Type 3R
- CSA C22.2 No. 40 certified, Type 3R
- Conforms to NEMA standard for Type 3R
- IEC 60529, IP32



Conduit Sizes

Knockout Detail

Note: See table for applicable knockout pattern.

Notes: Cooper B-Line can provide special sizes, finishes and other modifications. Consult the factory for your special requirements.

Type 3/3R Enclosures

Type 3R Screw Cover Enclosures - Painted & Galvanized Catalog Number

Type 3/3R Enclosures

Enclosure Catalog Number				Enclosure Size Height x Width x Depth		D		E		Gauge	Knockout Pattern Bottom
Painted		Galvanized		A x B x C							
KO	No KO	KO	No KO	in.	mm	in.	mm	in.	mm		
444 RTSC	444 RTSC NK	444 RTSCGV	444 RTSCGV NK	4.00x4.00x4.00	102x102x102	1.50	38	1.81	46	16	C D
644 RTSC	644 RTSC NK	644 RTSCGV	644 RTSCGV NK	6.00x4.00x4.00	152x102x102	3.50	89	1.81	46	16	C D
664 RTSC	664 RTSC NK	664 RTSCGV	664 RTSCGV NK	6.00x6.00x4.00	152x152x102	3.50	89	3.81	97	16	C D E
864 RTSC	864 RTSC NK	864 RTSCGV	864 RTSCGV NK	8.00x6.00x4.00	203x152x102	5.50	140	3.81	97	16	C D E
884 RTSC	884 RTSC NK	884 RTSCGV	884 RTSCGV NK	8.00x8.00x4.00	203x203x102	5.50	140	5.81	148	16	G H I J
1084 RTSC	1084 RTSC NK	1084 RTSCGV	1084 RTSCGV NK	10.00x8.00x4.00	254x203x102	7.50	191	5.81	148	16	G H I J
10104 RTSC	10104 RTSC NK	10104 RTSCGV	10104 RTSCGV NK	10.00x10.00x4.00	254x254x102	7.50	191	7.81	198	16	D E F G H
1284 RTSC	1284 RTSC NK	1284 RTSCGV	1284 RTSCGV NK	12.00x8.00x4.00	305x203x102	9.50	241	5.81	148	16	G H I J
12104 RTSC	12104 RTSC NK	12104 RTSCGV	12104 RTSCGV NK	12.00x10.00x4.00	305x254x102	9.50	241	7.81	198	16	D E F G H
12124 RTSC	12124 RTSC NK	12124 RTSCGV	12124 RTSCGV NK	12.00x12.00x4.00	305x305x102	9.50	241	9.81	249	16	D E F G H
15124 RTSC	15124 RTSC NK	15124 RTSCGV	15124 RTSCGV NK	15.00x12.00x4.00	381x305x102	12.50	318	9.81	249	16	D E F G H
16124 RTSC	16124 RTSC NK	16124 RTSCGV	16124 RTSCGV NK	16.00x12.00x4.00	406x305x102	13.50	343	9.81	249	16	D E F G H
16164 RTSC	16164 RTSC NK	16164 RTSCGV	16164 RTSCGV NK	16.00x16.00x4.00	406x406x102	13.50	343	13.81	351	16	C D E F G H I
18124 RTSC	18124 RTSC NK	18124 RTSCGV	18124 RTSCGV NK	18.00x12.00x4.00	457x305x102	15.50	394	9.81	249	16	D E F G H
18184 RTSC	18184 RTSC NK	18184 RTSCGV	18184 RTSCGV NK	18.00x18.00x4.00	457x457x102	15.50	394	15.81	402	16	B C D E F G H I J
24244 RTSC	24244 RTSC NK	24244 RTSCGV	24244 RTSCGV NK	24.00x24.00x4.00	610x610x102	21.50	546	21.56	548	14	B C D E F G H I J
666 RTSC	666 RTSC NK	666 RTSCGV	666 RTSCGV NK	6.00x6.00x6.00	152x152x152	3.50	89	3.81	97	16	C D E
866 RTSC	866 RTSC NK	866 RTSCGV	866 RTSCGV NK	8.00x6.00x6.00	203x152x152	5.50	140	3.81	97	16	C D E
886 RTSC	886 RTSC NK	886 RTSCGV	886 RTSCGV NK	8.00x8.00x6.00	203x203x152	5.50	140	5.81	148	16	G H I J
1086 RTSC	1086 RTSC NK	1086 RTSCGV	1086 RTSCGV NK	10.00x8.00x6.00	254x203x152	7.50	191	5.81	148	16	G H I J
10106 RTSC	10106 RTSC NK	10106 RTSCGV	10106 RTSCGV NK	10.00x10.00x6.00	254x254x152	7.50	191	7.81	198	16	D E F G H
1286 RTSC	1286 RTSC NK	1286 RTSCGV	1286 RTSCGV NK	12.00x8.00x6.00	305x203x152	9.50	241	5.81	148	16	G H I J
12106 RTSC	12106 RTSC NK	12106 RTSCGV	12106 RTSCGV NK	12.00x10.00x6.00	305x254x152	9.50	241	7.81	198	16	D E F G H
12126 RTSC	12126 RTSC NK	12126 RTSCGV	12126 RTSCGV NK	12.00x12.00x6.00	305x305x152	9.50	241	9.81	249	16	D E F G H
16126 RTSC	16126 RTSC NK	16126 RTSCGV	16126 RTSCGV NK	16.00x12.00x6.00	406x305x152	13.50	343	9.81	249	16	D E F G H
16166 RTSC	16166 RTSC NK	16166 RTSCGV	16166 RTSCGV NK	16.00x16.00x6.00	406x406x152	13.50	343	13.81	351	16	C D E F G H I
18126 RTSC	18126 RTSC NK	18126 RTSCGV	18126 RTSCGV NK	18.00x12.00x6.00	457x305x152	15.50	394	9.81	249	16	D E F G H
18186 RTSC	18186 RTSC NK	18186 RTSCGV	18186 RTSCGV NK	18.00x18.00x6.00	457x457x152	15.50	394	15.81	402	16	B C D E F G H I J
24126 RTSC	24126 RTSC NK	24126 RTSCGV	24126 RTSCGV NK	24.00x12.00x6.00	610x305x152	21.50	546	9.81	249	16	D E F G H
24186 RTSC	24186 RTSC NK	24186 RTSCGV	24186 RTSCGV NK	24.00x18.00x6.00	610x457x152	21.50	546	15.81	402	16	B C D E F G H I J
24246 RTSC	24246 RTSC NK	24246 RTSCGV	24246 RTSCGV NK	24.00x24.00x6.00	610x610x152	21.50	546	21.56	548	14	B C D E F G H I J
10108 RTSC	10108 RTSC NK	10108 RTSCGV	10108 RTSCGV NK	10.00x10.00x8.00	254x254x203	7.50	191	7.81	198	16	D E F G H
12128 RTSC	12128 RTSC NK	12128 RTSCGV	12128 RTSCGV NK	12.00x12.00x8.00	305x305x203	9.50	241	9.81	249	16	D E F G H
18128 RTSC	18128 RTSC NK	18128 RTSCGV	18128 RTSCGV NK	18.00x12.00x8.00	457x305x203	15.50	394	9.81	249	16	D E F G H
18188 RTSC	18188 RTSC NK	18188 RTSCGV	18188 RTSCGV NK	18.00x18.00x8.00	457x457x203	15.50	394	15.81	402	16	B C D E F G H I J
24168 RTSC	24168 RTSC NK	24168 RTSCGV	24168 RTSCGV NK	24.00x16.00x8.00	610x406x203	21.50	546	13.81	351	16	C D E F G H I
24188 RTSC	24188 RTSC NK	24188 RTSCGV	24188 RTSCGV NK	24.00x18.00x8.00	610x457x203	21.50	546	15.81	402	16	B C D E F G H I J
24248 RTSC	24248 RTSC NK	24248 RTSCGV	24248 RTSCGV NK	24.00x24.00x8.00	610x610x203	21.50	546	21.56	548	14	B C D E F G H I J
121210 RTSC	121210 RTSC NK	121210 RTSCGV	121210 RTSCGV NK	12.00x12.00x10.00	305x305x254	9.50	241	9.81	249	16	D E F G H
181210 RTSC	181210 RTSC NK	181210 RTSCGV	181210 RTSCGV NK	18.00x12.00x10.00	457x305x254	15.50	394	9.81	249	16	D E F G H
181810 RTSC	181810 RTSC NK	181810 RTSCGV	181810 RTSCGV NK	18.00x18.00x10.00	457x457x254	15.50	394	15.81	402	16	B C D E F G H I J
241810 RTSC	241810 RTSC NK	241810 RTSCGV	241810 RTSCGV NK	24.00x18.00x10.00	610x457x254	21.50	546	15.81	402	16	B C D E F G H I J
242410 RTSC	242410 RTSC NK	242410 RTSCGV	242410 RTSCGV NK	24.00x24.00x10.00	610x610x254	21.50	546	21.56	548	14	B C D E F G H I J
302410 RTSC	302410 RTSC NK	302410 RTSCGV	302410 RTSCGV NK	30.00x24.00x10.00	762x610x254	27.50	699	21.56	548	14	B C D E F G H I J
-	303010 RTSC NK	-	303010 RTSCGV NK	30.00x30.00x10.00	762x762x254	27.50	699	27.56	700	12	-
242412 RTSC	242412 RTSC NK	242412 RTSCGV	242412 RTSCGV NK	24.00x24.00x12.00	610x610x305	21.50	546	21.56	548	14	B C D E F G H I J
-	303012 RTSC NK	-	303012 RTSCGV NK	30.00x30.00x12.00	762x762x305	27.50	699	27.56	700	14	-
362412 RTSC	362412 RTSC NK	362412 RTSCGV	362412 RTSCGV NK	36.00x24.00x12.00	914x610x305	33.50	851	21.56	548	14	B C D E F G H I J
-	363012 RTSC NK	-	363012 RTSCGV NK	36.00x30.00x12.00	914x762x305	33.50	851	27.56	700	12	-
-	363612 RTSC NK	-	363612 RTSCGV NK	36.00x36.00x12.00	914x914x305	33.50	851	33.56	852	12	-

Notes: Dimensions are in inches. Millimeters shown are for reference only. Data subject to change without notice.

Type 3/3R Enclosures

Type 3R Small Continuous Hinge Cover Enclosures Data Sheet

Type 3/3R Enclosures



Application

- Used as wiring boxes, junction and pull boxes
- Protects against falling rain, sleet and external ice formation

Standards

- UL 50 listed, Type 3R
- CSA C22.2 No. 40 certified, Type 3R
- Conforms to NEMA standard for Type 3R
- IEC 60529, IP32

Construction

- Enclosure and cover are fabricated from (16) gauge galvaneal steel
- Knockouts are furnished on bottom end
- Cover is secured to the body with a continuous hinge and stainless steel pin on one side and a padlockable draw pull catch on the opposite side
- #10-32 tapped hole provision for optional ground lug kit
- #10-32 weldnuts are furnished for mounting optional panel
- External mounting feet are provided for secure wall mounting

Finish

- Wash and phosphate undercoat
- ANSI 61 gray polyester powder finish

Accessories

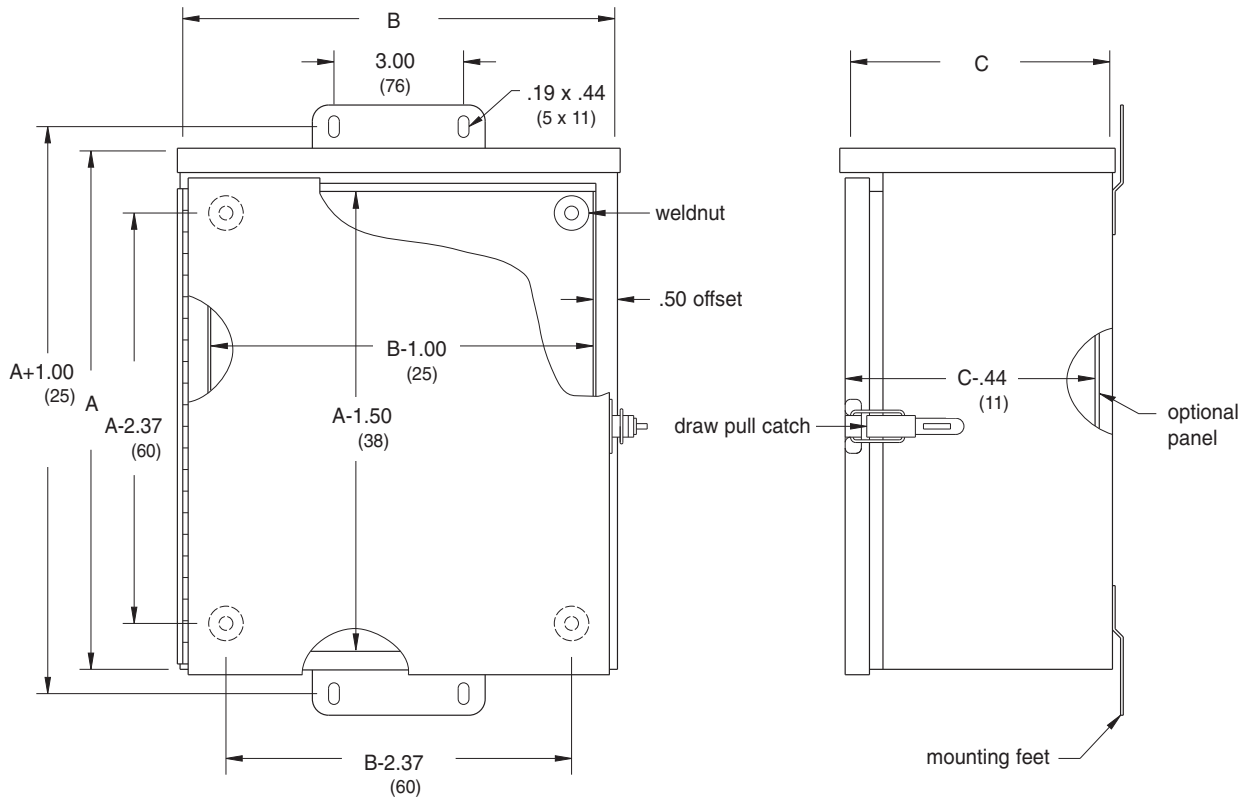
- Panels
- Ground lug kit
- Touch-up paint
- See Accessories section
- #8-32 self tapping screw (10168)

Enclosure Catalog Number	Enclosure Size Height x Width x Depth A x B x C		Knockout Pattern Bottom	Panel Catalog Number		Panel	
	in.	mm		Solid	Perforated	Height in.	x Width mm
664 RHC	6.00x6.00x4.00	152x152x102	(I)(J)(K)	N66P	N66PP	4.25x4.25	108x108
864 RHC	8.00x6.00x4.00	203x152x102	(I)(J)(K)	N86P	N86PP	6.25x4.25	159x108
884 RHC	8.00x8.00x4.00	203x203x102	(I)(J)(K)(L)	N88P	N88PP	6.25x6.25	159x159
886 RHC	8.00x8.00x6.00	203x203x152	(I)(J)(K)(L)	N88P	N88PP	6.25x6.25	159x159
1086 RHC	10.00x8.00x6.00	254x203x152	(I)(J)(K)(L)	N108P	N108PP	8.25x6.25	210x159
12106 RHC	12.00x10.00x6.00	305x254x152	(H)(I)(J)(K)(L)	N1210P	N1210PP	10.25x8.25	260x210
12126 RHC	12.00x12.00x6.00	305x305x152	(H)(I)(J)(K)(L)	N1212P	N1212PP	10.25x10.25	260x260

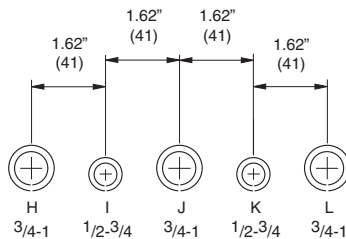
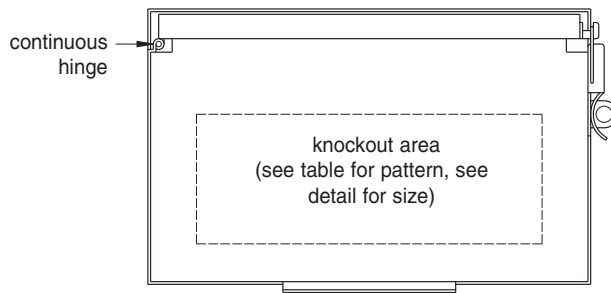
Notes: Cooper B-Line can provide special sizes, finishes and other modifications. Consult the factory for your special requirements.

Type 3 / 3R Enclosures

Type 3R Small Continuous Hinge Cover Enclosures Illustration Sheet



Type 3/3R Enclosures



Conduit Sizes

Knockout Detail

Note: See table for applicable knockout pattern.

Notes: Dimensions are in inches. Millimeters shown are for reference only. Data subject to change without notice.

Type 3/3R Enclosures

Type 3R Large Continuous Hinge Cover Enclosures Data Sheet

Type 3/3R Enclosures



Construction

- Enclosure and door are fabricated from code gauge galvaneal steel, (see table)
- Enclosure standard without knockouts
- Door is secured to the body with a continuous hinge and stainless steel pin on one side and captive screws on the opposite side
- Door has padlock hasp with sealing hole provision
- #10-32 tapped hole provision for optional ground lug kit
- .375-16 collar studs are furnished for mounting optional panel
- External mounting feet are provided for secure wall mounting

Standards

- UL 50 listed, Type 3R
- CSA C22.2 No. 40 certified, Type 3R
- Conforms to NEMA standard for Type 3R
- IEC 60529, IP32

Finish

- Wash and phosphate undercoat
- ANSI 61 gray polyester powder finish

Application

- Used as wiring boxes, junction and pull boxes
- Protects against falling rain, sleet and external ice formation

Accessories

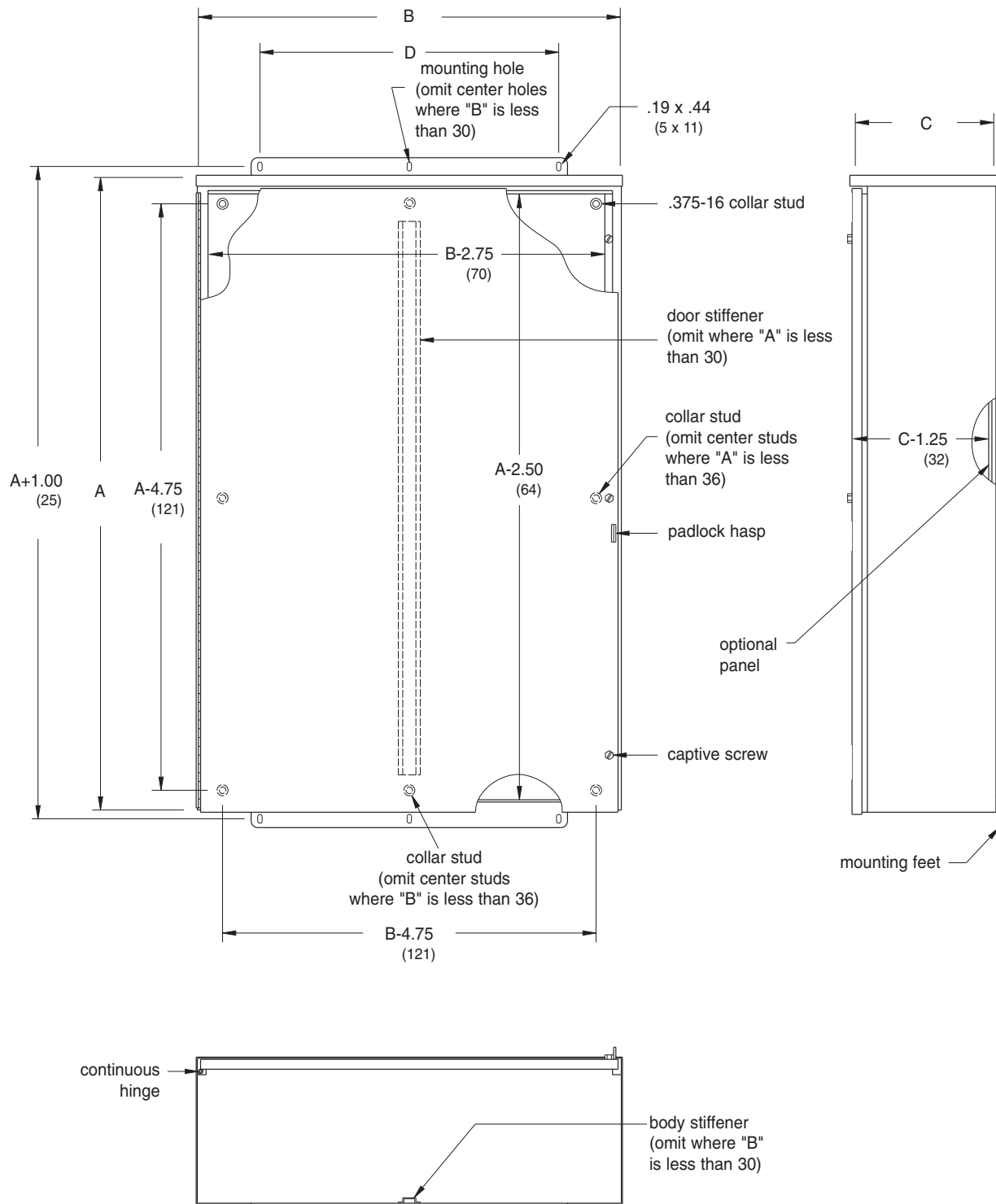
- Panels
- Ground lug kit
- Touch-up paint
- See Accessories section

Enclosure Catalog Number	Enclosure Size Height x Width x Depth A x B x C		D		Gauge	Panel Catalog Number	Panel Size	
	in.	mm	in.	mm			Height in.	Width mm
16126RHC	16.00x12.00x6.00	406x305x152	5.00	127	16	N1612P	13.00x9.00	330x229
16166RHC	16.00x16.00x6.00	406x406x152	9.00	229	16	N1616P	13.00x13.00	330x330
20166RHC	20.00x16.00x6.00	508x406x152	9.00	229	16	N2016P	17.00x13.00	432x330
20208RHC	20.00x20.00x8.00	508x508x203	13.00	330	16	N2020P	17.00x17.00	432x432
24208RHC	24.00x20.00x8.00	610x508x203	13.00	330	16	N2420P	20.87x16.87	530x428
24248RHC	24.00x24.00x8.00	610x610x203	17.00	432	14	N2424P	20.87x20.87	530x530
30248RHC	30.00x24.00x8.00	762x610x203	17.00	432	14	N3024P	26.87x20.87	682x530
303012RHC	30.00x30.00x12.00	762x762x305	27.00	432	14	N3030P	26.87x26.87	682x682
362412RHC	36.00x24.00x12.00	914x610x305	17.00	432	14	N3624P	32.87x20.87	835x530
363012RHC	36.00x30.00x12.00	914x762x305	27.00	432	14	N3630P	32.87x26.87	835x682
363612RHC	36.00x36.00x12.00	914x914x305	27.00	432	14	N3636P	32.87x32.87	835x835
423012RHC	42.00x30.00x12.00	1067x762x305	27.00	432	14	N4230P	38.87x26.87	987x682
423612RHC	42.00x36.00x12.00	1067x914x305	27.00	432	14	N4236P	38.87x32.87	987x835
483612RHC	48.00x36.00x12.00	1219x914x305	27.00	432	14	N4836P	44.87x32.87	1140x835
603612RHC	60.00x36.00x12.00	1524x914x305	27.00	432	14	N6036P	56.87x32.87	1444x835

Notes: Cooper B-Line can provide special sizes, finishes and other modifications. Consult the factory for your special requirements.

Type 3 / 3R Enclosures

Type 3R Large Continuous Hinge Cover Enclosures Illustration Sheet



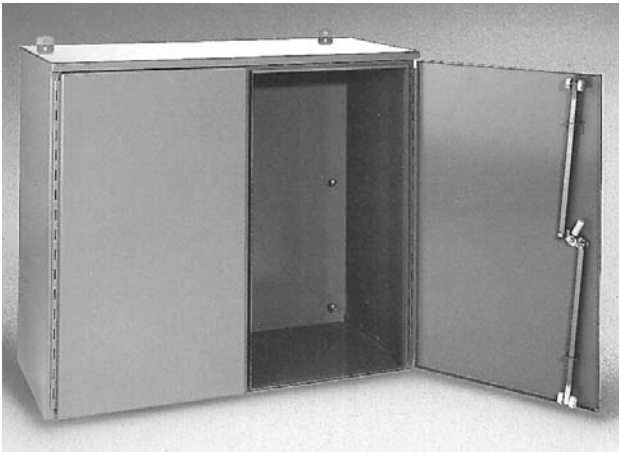
Type 3/3R Enclosures

Notes: Dimensions are in inches. Millimeters shown are for reference only. Data subject to change without notice.

Type 3/3R Enclosures

Type 3R Double-Door Enclosures Data Sheet

Type 3/3R Enclosures



Construction

- Enclosure and door are fabricated from (12) gauge steel
- Removable center post for complete front access
- Doors are secured to the body with a heavy-duty continuous hinge and stainless steel hinge pin with center locating 3-pt padlocking handle mechanism which closes the right side door over the left
- #10-32 tapped hole provision for optional ground lug kit
- .375-16 collar studs are furnished for mounting optional panel
- External mounting feet are provided for secure wall mounting
- No knockouts

Finish

- Wash and phosphate undercoat
- ANSI 61 gray polyester powder finish

Application

- Used as wiring boxes, junction and pull boxes
- Protects against falling rain, sleet and external ice formation

Standards

- UL 50 listed, Type 3R
- CSA C22.2 No. 40 certified, Type 3R
- Conforms to NEMA standard for Type 3R
- IEC 60529, IP32

Accessories

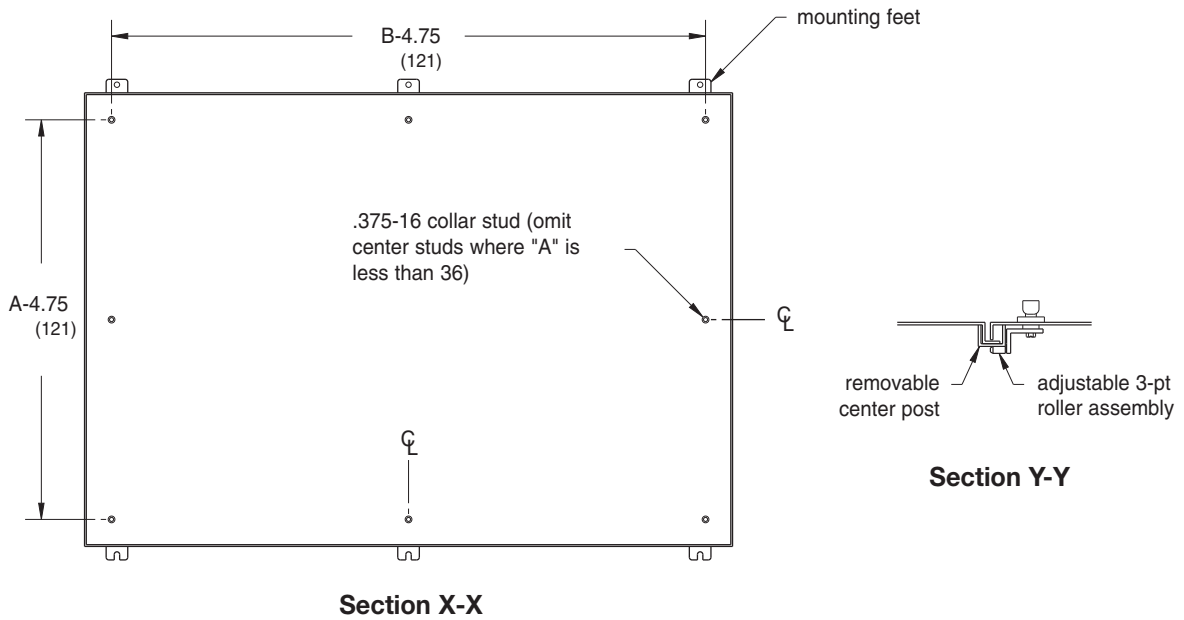
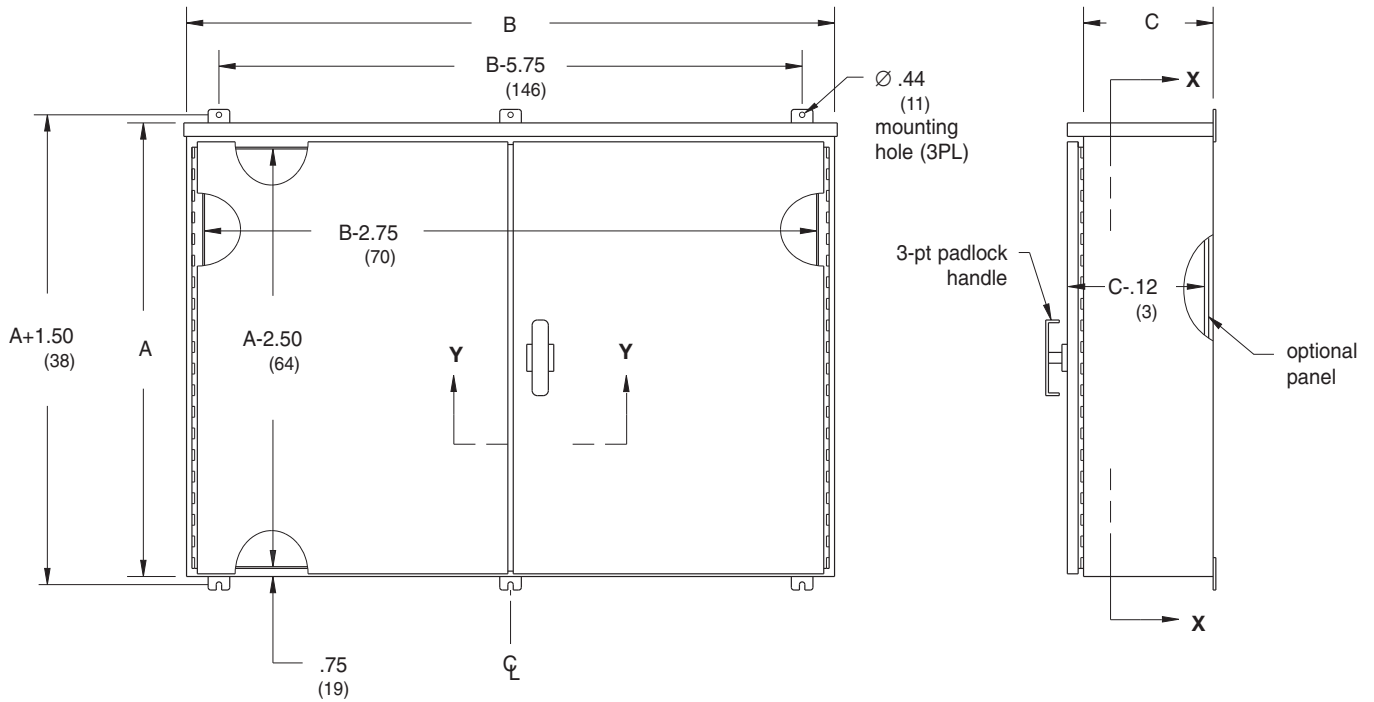
- Panels
- Type 3R door handle
- Ground lug kit
- Touch-up paint
- See Accessories section

Enclosure Catalog Number	Enclosure Size Height x Width x Depth A x B x C		Panel Catalog Number	Panel Size Height x Width	
	in.	mm		in.	mm
304212DRHC	30.00x42.00x12.00	762x1067x305	N4230P	26.87x38.87	682x987
364812DRHC	36.00x48.00x12.00	914x1219x305	N4836P	32.87x44.87	835x1140
303616DRHC	30.00x36.00x16.00	762x914x406	N3630P	26.87x32.87	682x835
364216DRHC	36.00x42.00x16.00	914x1067x406	N4236P	32.87x38.87	835x987

Notes: Cooper B-Line can provide special sizes, finishes and other modifications. Consult the factory for your special requirements.

Type 3 / 3R Enclosures

Type 3R Double-Door Enclosures Illustration Sheet



Notes: Dimensions are in inches. Millimeters shown are for reference only. Data subject to change without notice.

Type 3/3R Enclosures

Type 3R Hinge Cover Enclosures Data Sheet

Type 3/3R Enclosures



Application

- Used as wiring boxes, junction and pull boxes
- Protects against falling rain, sleet and external ice formation

Standards

- UL 50 listed, Type 3R
- CSA C22.2 No. 40 certified, Type 3R
- Conforms to NEMA standard for Type 3R
- IEC 60529, IP32

Construction

- Enclosure and door are fabricated from code gauge galvaneal steel, (see table)
- Enclosure body has embossed mounting holes on the back
- Available with or without knockouts on the bottom end of enclosures less than 30 inches wide
- Cover is secured to the top end with galvanized, detachable formed hinges on sizes up to and including 18188
- Cover can be held in the open position by sliding it into notches on body
- Cover has padlock hasp and sealing hole provisions at the bottom
- #10-32 tapped hole provision for optional ground lug kit

Finish

- Wash and phosphate undercoat
- ANSI 61 gray acrylic electrocoat finish

Accessories

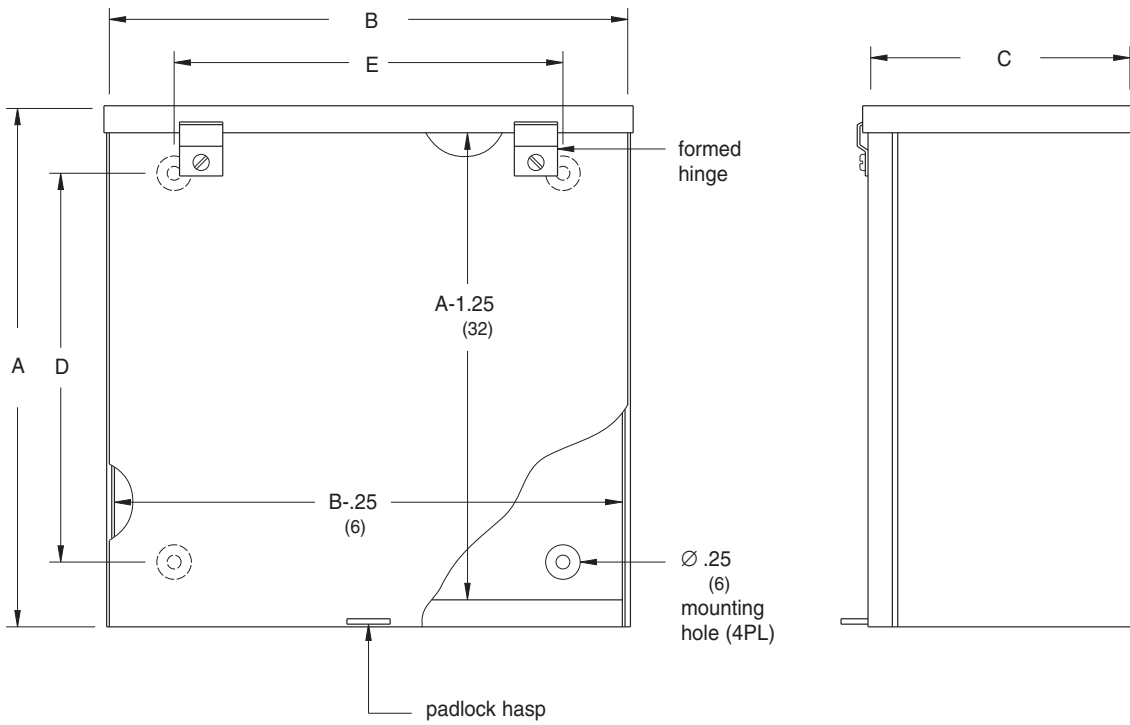
- Ground lug kit
- Touch-up paint
- See Accessories section

Enclosure Catalog Number		Enclosure Size				Gauge	Knockout Pattern		
KO	No KO	Height x Width x Depth		D				E	
		A x B x C		in.	mm			in.	mm
		in.	mm	in.	mm	in.	mm	Bottom	
644 RTHC	644 RTHC NK	6.00x4.00x4.00	152x102x102	3.00	76	2.00	51	16	(C D)
664 RTHC	664 RTHC NK	6.00x6.00x4.00	152x152x102	3.00	76	4.00	102	16	(C D E)
864 RTHC	864 RTHC NK	8.00x6.00x4.00	203x152x102	5.00	127	4.00	102	16	(C D E)
884 RTHC	884 RTHC NK	8.00x8.00x4.00	203x203x102	5.00	127	5.00	127	16	(G H I J)
10104 RTHC	10104 RTHC NK	10.00x10.00x4.00	254x254x102	7.00	178	7.00	178	16	(D E F G H)
12124 RTHC	12124 RTHC NK	12.00x12.00x4.00	305x305x102	9.00	229	9.00	229	16	(D E F G H)
1286 RTHC	1286 RTHC NK	12.00x8.00x6.00	305x203x152	9.00	229	5.00	127	16	(G H I J)
12106 RTHC	12106 RTHC NK	12.00x10.00x6.00	305x254x152	9.00	229	7.00	178	16	(D E F G H)
12126 RTHC	12126 RTHC NK	12.00x12.00x6.00	305x305x152	9.00	229	9.00	229	16	(D E F G H)
18126 RTHC	18126 RTHC NK	18.00x12.00x6.00	457x305x152	15.00	381	9.00	229	16	(D E F G H)
12128 RTHC	12128 RTHC NK	12.00x12.00x8.00	305x305x203	9.00	229	9.00	229	16	(D E F G H)
18188 RTHC	18188 RTHC NK	18.00x18.00x8.00	457x457x203	15.00	381	15.00	381	16	(B C D E F G H I J)
24188 RTHC	24188 RTHC NK	24.00x18.00x8.00	610x457x203	21.00	533	15.00	381	16	(B C D E F G H I J)
24248 RTHC	24248 RTHC NK	24.00x24.00x8.00	610x610x203	21.00	533	20.00	508	14	(B C D E F G H I J)
242410 RTHC	242410 RTHC NK	24.00x24.00x10.00	610x610x254	21.00	533	20.00	508	14	(B C D E F G H I J)
362410 RTHC	362410 RTHC NK	36.00x24.00x10.00	914x610x254	33.00	838	20.00	508	14	(B C D E F G H I J)
-	363012 RTHC NK	36.00x30.00x12.00	914x762x305	33.00	838	26.00	508	12	-

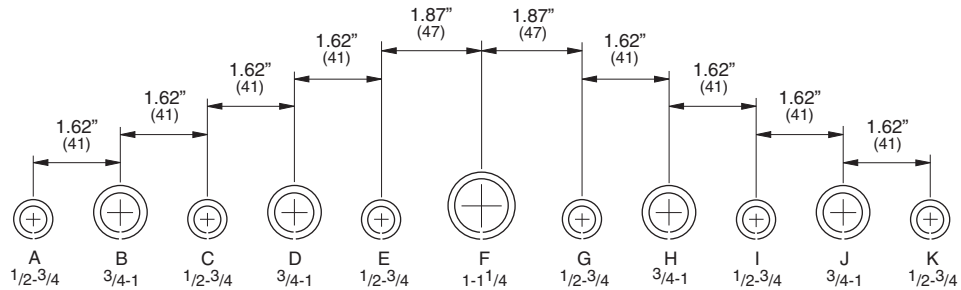
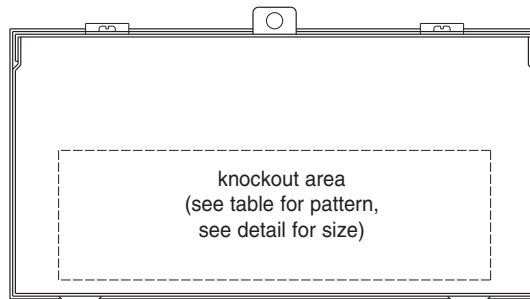
Notes: Cooper B-Line can provide special sizes, finishes and other modifications. Consult the factory for your special requirements.

Type 3 / 3R Enclosures

Type 3R Hinge Cover Enclosures Illustration Sheet



Type 3/3R Enclosures



Conduit Sizes

Knockout Detail

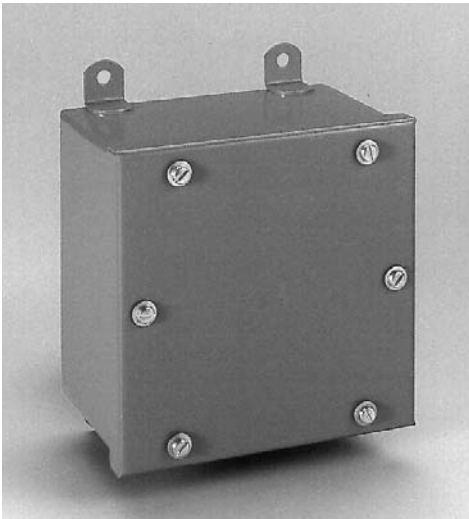
Note: See table for applicable knockout pattern.

Notes: Dimensions are in inches. Millimeters shown are for reference only. Data subject to change without notice.

Type 3/3R Enclosures

Type 3 Screw Cover Enclosures Data Sheet

Type 3/3R Enclosures



Application

- Used as wiring boxes, junction and pull boxes
- Protects against windblown dust, rain, sleet and external ice formation

Construction

- Enclosure and door are fabricated from code gauge steel, (see table)
- All continuous welded seams are finished smooth
- Enclosure standard without knockouts
- Cover is attached with gasketed screws
- Cover has flanged sides which secure a fixed, water and ice-resistant gasket
- #10-32 weld stud is furnished for optional ground lug kit
- External mounting feet are provided for secure wall mounting

Standards

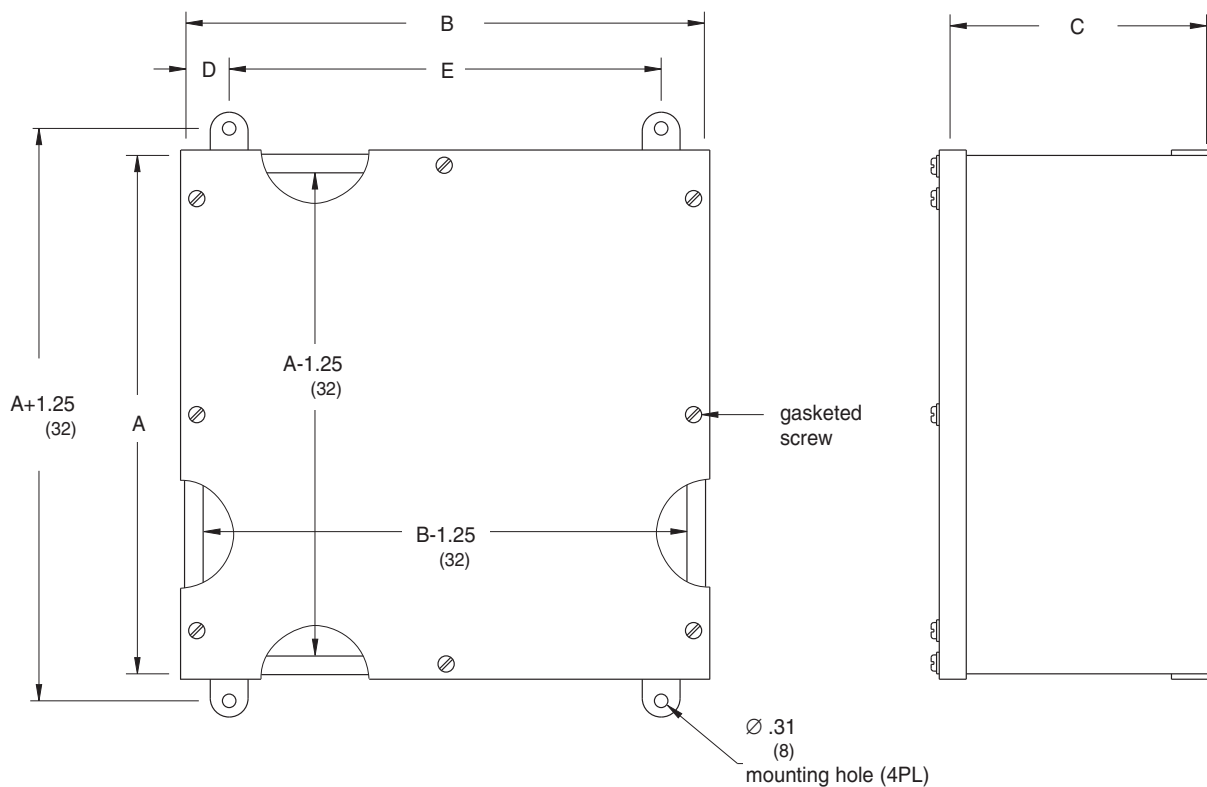
- UL 50 listed, Type 3, (unless noted)
- CSA C22.2 No. 40 certified, Type 3
- Conforms to NEMA standard for Type 3
- IEC 60529, IP66

Finish

- Wash and phosphate undercoat
- ANSI 61 gray polyester powder finish

Accessories

- Ground lug kit
- Touch-up paint
- See Accessories section



Notes: Cooper B-Line can provide special sizes, finishes and other modifications. Consult the factory for your special requirements.

Type 3 / 3R Enclosures

Type 3 Screw Cover Enclosures Catalog Number

Type 3/3R Enclosures

Enclosure Catalog Number	Enclosure Size Height x Width x Depth A x B x C		D		E		Gauge
	in.	mm	in.	mm	in.	mm	
	444 WPSC*	4.00x4.00x4.00	102x102x102	2.00	51	-	
644 WPSC*	6.00x4.00x4.00	152x102x102	2.00	51	-	-	16
664 WPSC	6.00x6.00x4.00	152x152x102	1.00	25	4.00	102	16
864 WPSC	8.00x6.00x4.00	203x152x102	1.00	25	4.00	102	16
884 WPSC	8.00x8.00x4.00	203x203x102	1.00	25	6.00	152	16
1084 WPSC	10.00x8.00x4.00	254x203x102	1.00	25	6.00	152	16
10104 WPSC	10.00x10.00x4.00	254x254x102	1.00	25	8.00	203	16
12124 WPSC	12.00x12.00x4.00	305x305x102	1.00	25	10.00	254	16
18184 WPSC	18.00x18.00x4.00	457x457x102	1.00	25	16.00	406	16
666 WPSC	6.00x6.00x6.00	152x152x152	1.00	25	4.00	102	16
886 WPSC	8.00x8.00x6.00	203x203x152	1.00	25	6.00	152	16
10106 WPSC	10.00x10.00x6.00	254x254x152	1.00	25	8.00	203	16
1286 WPSC	12.00x8.00x6.00	305x203x152	1.00	25	6.00	152	16
12126 WPSC	12.00x12.00x6.00	350x305x152	1.00	25	10.00	254	16
16126 WPSC	16.00x12.00x6.00	381x305x152	1.00	25	10.00	254	16
18126 WPSC	18.00x12.00x6.00	457x305x152	1.00	25	10.00	254	16
18186 WPSC	18.00x18.00x6.00	457x457x152	1.00	25	16.00	406	16
24186 WPSC	24.00x18.00x6.00	610x457x152	1.00	25	16.00	406	16
24246 WPSC	24.00x24.00x6.00	610x610x152	1.00	25	22.00	559	14
12128 WPSC	12.00x12.00x8.00	305x305x203	1.00	25	10.00	254	16
18188 WPSC	18.00x18.00x8.00	457x457x203	1.00	25	16.00	406	16
24248 WPSC	24.00x24.00x8.00	610x610x203	1.00	25	22.00	559	14
302410 WPSC	30.00x24.00x10.00	762x610x254	1.00	25	22.00	559	14

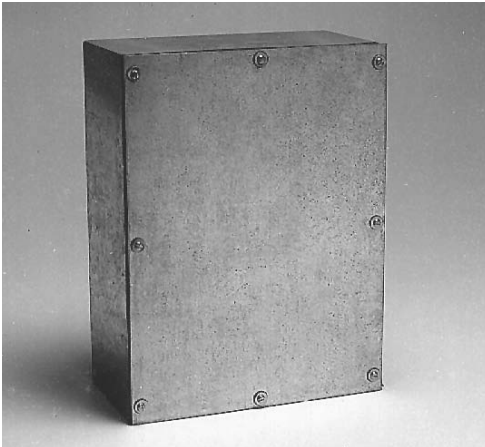
* UL 508 listed, Type 3.

Notes: Dimensions are in inches. Millimeters shown are for reference only. Data subject to change without notice.

Type 3 / 3R Enclosures

Type 3 Gasketed Screw Cover Enclosures Data Sheet

Type 3/3R Enclosures



Application

- Used as wiring boxes, junction and pull boxes
- Intended for indoor or outdoor use
- Protects against windblown dust, rain, sleet, external ice formation and dripping noncorrosive liquids

Construction

- Enclosure and cover are fabricated from code gauge G-90 grade galvanized steel, (see table)
- All continuous welded seams are finished smooth
- Enclosure standard without knockouts
- Cover is attached with gasketed screws
- Cover has a fixed, oil and water resistant gasket
- #10-32 weldnut is furnished for optional ground lug kit

Standards

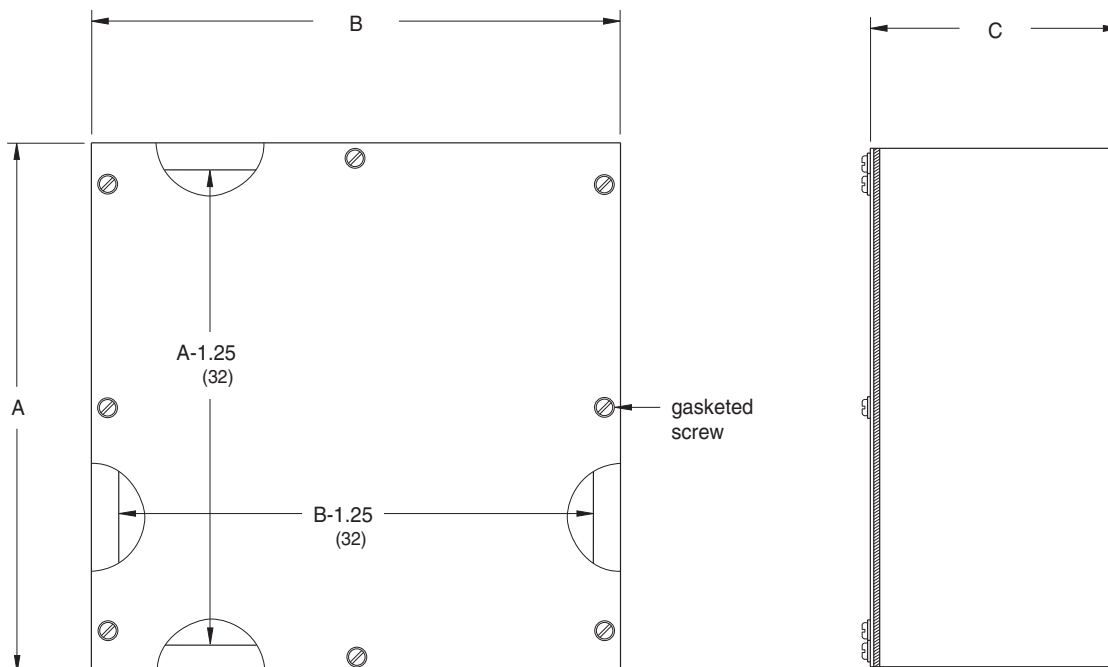
- UL 508 listed, Type 3 and Type 12
- Conforms to NEMA standard for Type 3 and Type 12
- IEC 60529, IP66

Finish

- Bright galvanized finish
- Zinc-rich coating over all external welds

Accessories

- Ground lug kit
- See Accessories section



Notes: Cooper B-Line can provide special sizes, finishes and other modifications. Consult the factory for your special requirements.

Type 3 / 3R Enclosures

Type 3 Gasketed Screw Cover Enclosures Catalog Number

Type 3/3R Enclosures

Enclosure Catalog Number	Enclosure Size Height x Width x Depth A x B x C		Body Gauge	Cover Gauge
	in.	mm		
444 SCG	4.00x4.00x4.00	102x102x102	14	14
664 SCG	6.00x6.00x4.00	152x152x102	14	14
864 SCG	8.00x6.00x4.00	203x152x102	14	12
884 SCG	8.00x8.00x4.00	203x203x102	14	12
1084 SCG	10.00x8.00x4.00	254x203x102	14	12
10104 SCG	10.00x10.00x4.00	254x254x102	14	12
12124 SCG	12.00x12.00x4.00	305x305x102	14	12
666 SCG	6.00x6.00x6.00	152x152x152	14	12
886 SCG	8.00x8.00x6.00	203x203x152	14	12
10106 SCG	10.00x10.00x6.00	254x254x152	14	12
12106 SCG	12.00x10.00x6.00	305x254x152	14	12
12126 SCG	12.00x12.00x6.00	305x305x152	14	12
16126 SCG	16.00x12.00x6.00	406x305x152	14	12
16166 SCG	16.00x16.00x6.00	406x406x152	14	10
18186 SCG	18.00x18.00x6.00	457x457x152	14	10
20166 SCG	20.00x16.00x6.00	508x406x152	14	10
24246 SCG	24.00x24.00x6.00	610x610x152	14	10
12128 SCG	12.00x12.00x8.00	305x305x203	14	10
20208 SCG	20.00x20.00x8.00	508x508x203	14	10
24208 SCG	24.00x20.00x8.00	610x508x203	14	10
24248 SCG	24.00x24.00x8.00	610x610x203	14	10
242412 SCG	24.00x24.00x12.00	610x610x305	14	10
303012 SCG	30.00x30.00x12.00	762x762x305	14	10
363612 SCG	36.00x36.00x12.00	914x914x305	14	10

Notes: Dimensions are in inches. Millimeters shown are for reference only. Data subject to change without notice.

Type 3/3R Enclosures

Type 3R Telephone Termination Cabinets Data Sheet

Type 3/3R Enclosures



Application

- Used as telephone and communication cable termination and spare fuse cabinets
- Protects against falling rain, sleet and external ice formation

Construction

- Cabinet and door are fabricated from code gauge galvaneal steel, (see table)
- Cabinet body has embossed mounting holes on the back
- Knockouts are standard on bottom end
- Door is secured to the body with heavy-duty hinges on one side and a T-handle lock with key on the opposite side

Standards

- UL 1863 listed, Type 3R
- Conforms to NEMA standard for Type 3R
- IEC 60529, IP32

Finish

- Wash and phosphate undercoat
- ANSI 61 gray acrylic electrocoat finish

Accessories

- Locks
- Terminal blocks
- Wood back boards, barriers and shelves
- Touch-up paint
- See Accessories section

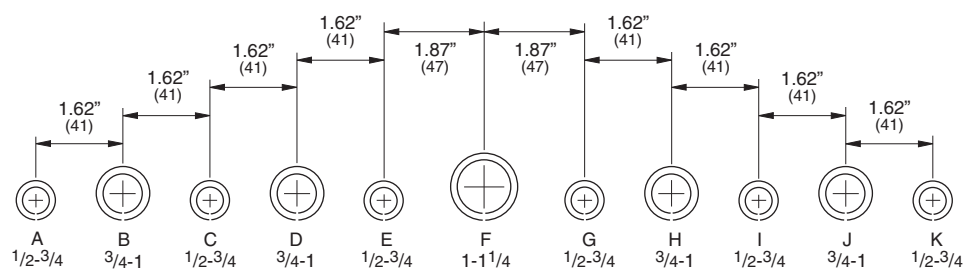
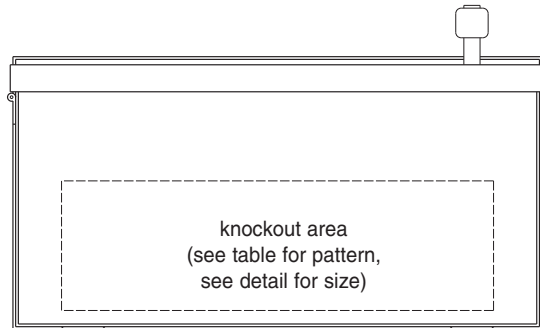
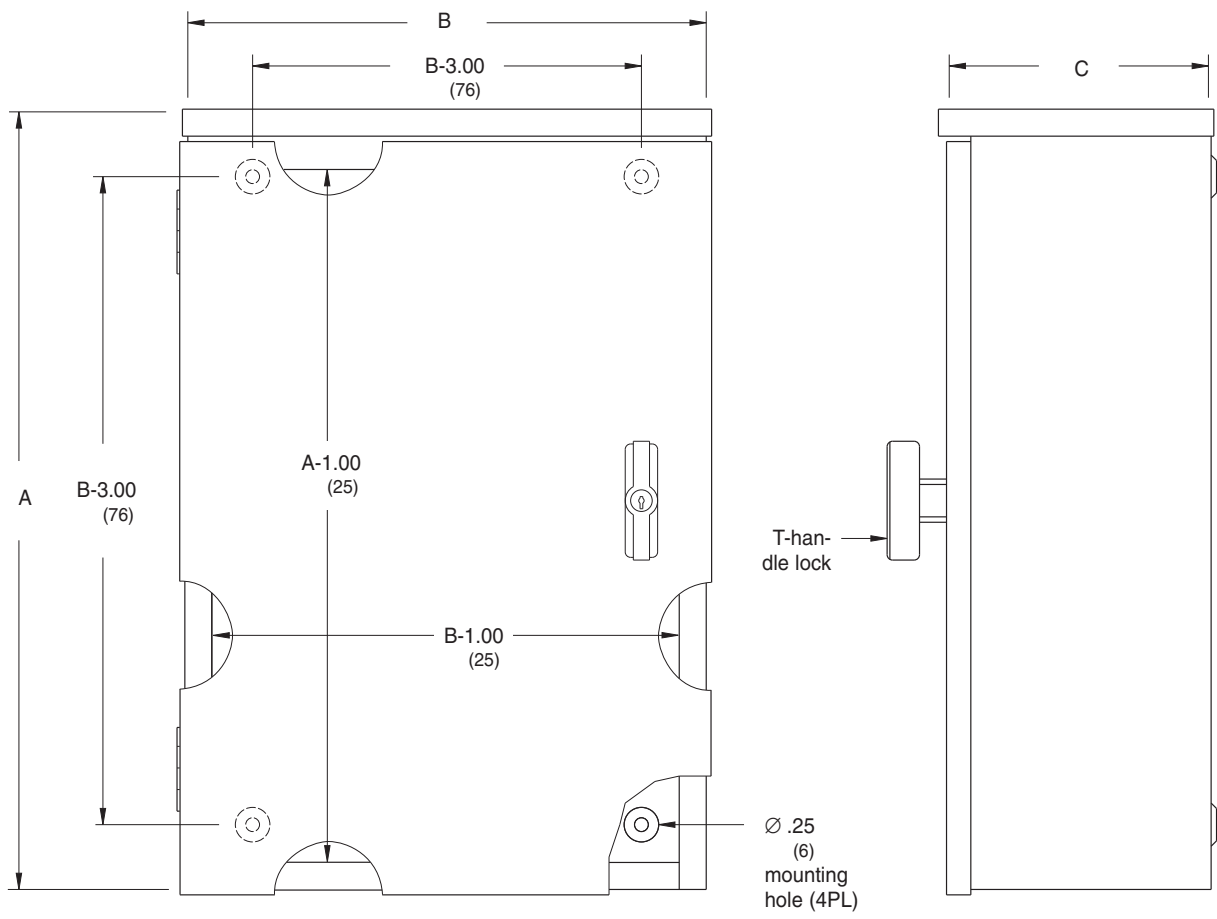
Cabinet Catalog Number	Cabinet Size Height x Width x Depth A x B x C		Gauge	D		Knockout Pattern Bottom
	in.	mm		in.	mm	
664 RTC	6.00x6.00x4.00	152x152x102	18	-	-	C D E
884 RTC	8.00x8.00x4.00	203x203x102	18	3.00	76	G H I J
12124 RTC	12.00x12.00x4.00	305x305x102	18	3.50	89	D E F G H
12126 RTC	12.00x12.00x6.00	305x305x152	18	3.50	89	D E F G H
18126 RTC	18.00x12.00x6.00	457x305x152	18	3.50	89	D E F G H
18186 RTC	18.00x18.00x6.00	457x457x152	16	6.50	165	B C D E F G H I J
24126 RTC	24.00x12.00x6.00	610x305x152	18	3.50	89	D E F G H
24186 RTC	24.00x18.00x6.00	610x457x152	16	6.50	165	B C D E F G H I J
24246 RTC	24.00x24.00x6.00	610x610x152	14	9.50	241	B C D E F G H I J
30246 RTC	30.00x24.00x6.00	762x610x152	14	9.50	241	B C D E F G H I J
36246 RTC	36.00x24.00x6.00	914x610x152	14	9.50	241	B C D E F G H I J
12128 RTC	12.00x12.00x8.00	305x305x203	18	3.50	89	D E F G H
18188 RTC	18.00x18.00x8.00	457x457x203	16	6.50	165	B C D E F G H I J
24248 RTC	24.00x24.00x8.00	610x610x203	14	9.50	241	B C D E F G H I J

Notes: Cooper B-Line can provide special sizes, finishes and other modifications. Consult the factory for your special requirements.

Type 3 / 3R Enclosures

Type 3R Telephone Termination Cabinets Illustration Sheet

Type 3/3R Enclosures



Conduit Sizes

Knockout Detail

Note: See table for applicable knockout pattern.

Notes: Dimensions are in inches. Millimeters shown are for reference only. Data subject to change without notice.

Type 3/3R Enclosures

Type 3R Telephone Termination Cabinets Data Sheet

Type 3/3R Enclosures



Application

- Used as telephone and communication cable termination and spare fuse cabinets
- Protects against falling rain, sleet and external ice formation

Construction

- Cabinet and door are fabricated from code gauge galvaneal steel, (see table)
- Cabinet body has embossed mounting holes on the back
- Knockouts on bottom end are standard on cabinets 24 inches wide or smaller
- Door is secured to the body with heavy-duty hinges on one side and a T-handle lock with key on the opposite side
- .75 inch thick plywood back board is factory mounted
- 6-position ground circuit bar is provided

Standards

- UL 1863 listed, Type 3R
- Conforms to NEMA standard for Type 3R
- Conforms to Pacific Bell standards
- IEC 60529, IP32

Finish

- Wash and phosphate undercoat
- ANSI 61 gray acrylic electrocoat finish

Accessories

- Locks
- Terminal blocks
- Touch-up paint
- See Accessories section

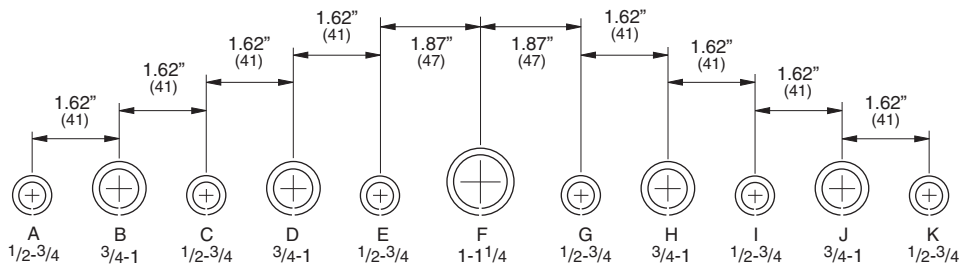
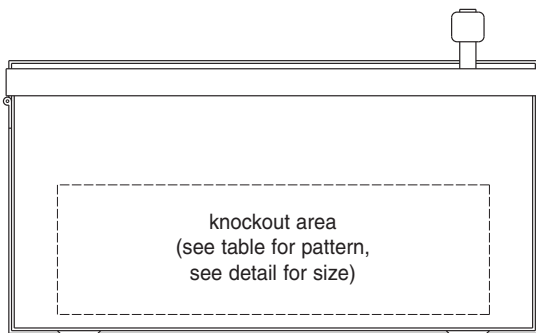
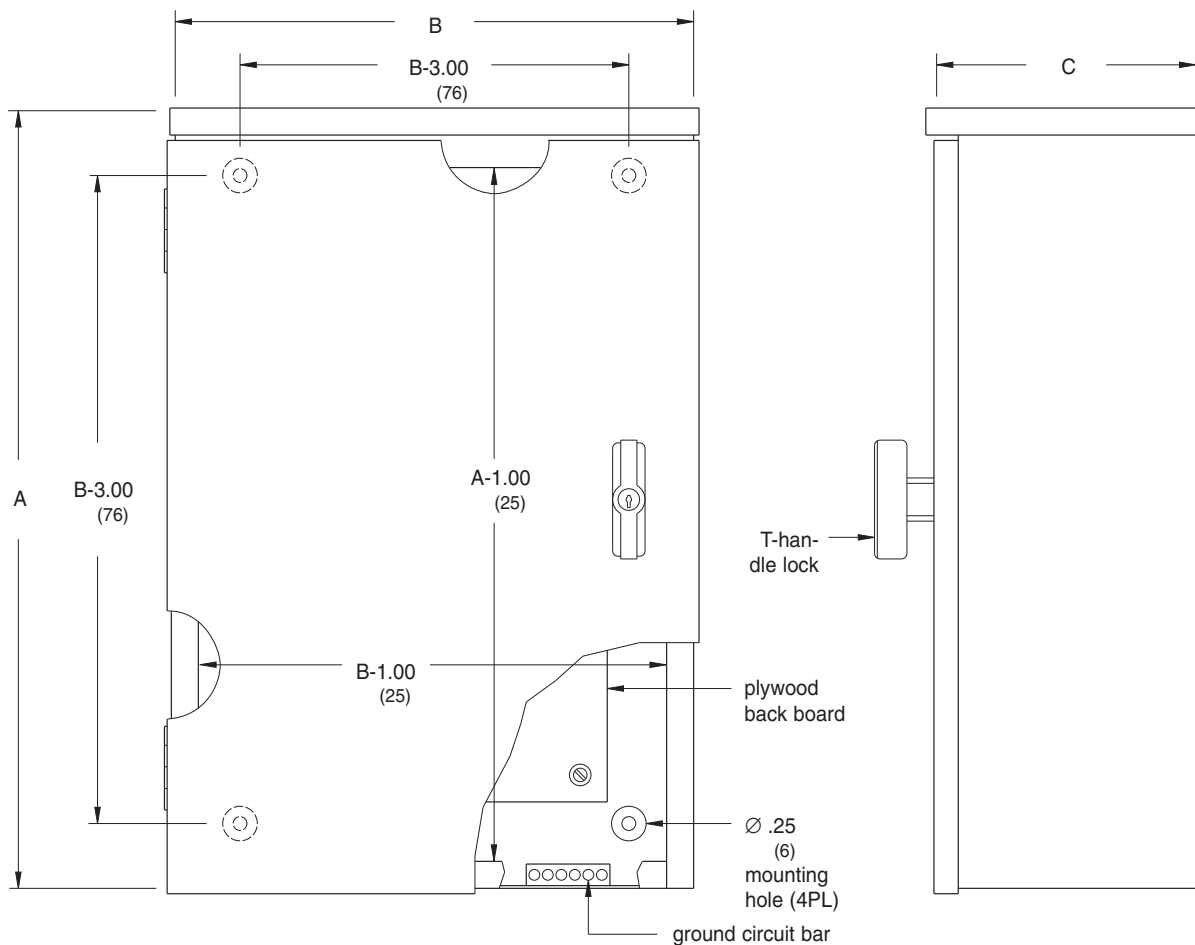
Cabinet Catalog Number	Cabinet Size Height x Width x Depth A x B x C		Gauge	D		Knockout Pattern Bottom	Wood Panel Size Height x Width	
	in.	mm		in.	mm		in.	mm
16124 PBRTC	16.00x12.00x4.00	406x305x102	18	3.50	89	(D)(E)(F)(G)(H)	13.00x9.00	330x229
18124 PBRTC	18.00x12.00x4.00	457x305x102	18	3.50	89	(D)(E)(F)(G)(H)	15.00x9.00	381x229
24124 PBRTC	24.00x12.00x4.00	610x305x102	18	3.50	89	(D)(E)(F)(G)(H)	21.00x9.00	533x229
24184 PBRTC	24.00x18.00x4.00	610x457x102	16	6.50	165	(B)(C)(D)(E)(F)(G)(H)(I)(J)	21.00x15.00	533x381
30244 PBRTC	30.00x24.00x4.00	762x610x102	14	9.50	241	(B)(C)(D)(E)(F)(G)(H)(I)(J)	27.00x21.00	686x533
12126 PBRTC	12.00x12.00x6.00	305x305x152	18	3.50	89	(D)(E)(F)(G)(H)	9.00x9.00	229x229
18126 PBRTC	18.00x12.00x6.00	457x305x152	18	3.50	89	(D)(E)(F)(G)(H)	15.00x9.00	381x229
18186 PBRTC	18.00x18.00x6.00	457x457x152	16	6.50	165	(B)(C)(D)(E)(F)(G)(H)(I)(J)	15.00x15.00	381x381
24126 PBRTC	24.00x12.00x6.00	610x305x152	16	3.50	89	(D)(E)(F)(G)(H)	21.00x9.00	533x229
24186 PBRTC	24.00x18.00x6.00	610x457x152	16	6.50	165	(B)(C)(D)(E)(F)(G)(H)(I)(J)	21.00x15.00	533x381
24246 PBRTC	24.00x24.00x6.00	610x610x152	14	9.50	241	(B)(C)(D)(E)(F)(G)(H)(I)(J)	21.00x21.00	533x533
30246 PBRTC	30.00x24.00x6.00	762x610x152	14	9.50	241	(B)(C)(D)(E)(F)(G)(H)(I)(J)	27.00x21.00	686x533
36246 PBRTC	36.00x24.00x6.00	914x610x152	14	9.50	241	(B)(C)(D)(E)(F)(G)(H)(I)(J)	33.00x21.00	838x533
36306 PBRTC	36.00x30.00x6.00	914x762x152	13	-	-	-	33.00x27.00	838x686
36366 PBRTC	36.00x36.00x6.00	914x914x152	13	-	-	-	33.00x33.00	838x838
36308 PBRTC	36.00x30.00x8.00	914x762x203	13	-	-	-	33.00x27.00	838x686
36368 PBRTC	36.00x36.00x8.00	914x914x203	13	-	-	-	33.00x33.00	838x838

Notes: Cooper B-Line can provide special sizes, finishes and other modifications. Consult the factory for your special requirements.

Type 3 / 3R Enclosures

Type 3R Telephone Termination Cabinets Illustration Sheet

Type 3/3R Enclosures



Conduit Sizes

Knockout Detail

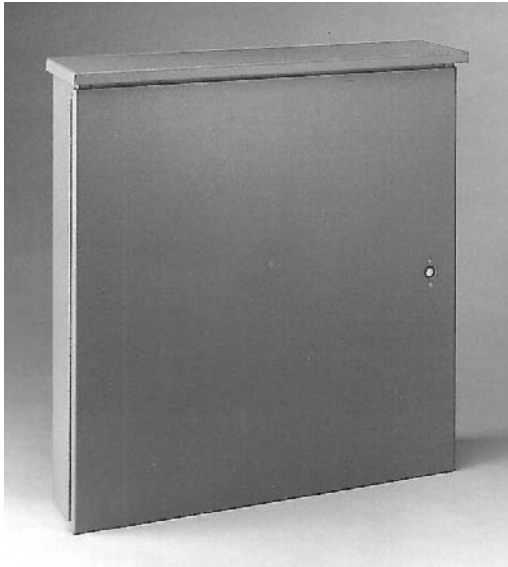
Note: See table for applicable knockout pattern.

Notes: Dimensions are in inches. Millimeters shown are for reference only. Data subject to change without notice.

Type 3/3R Enclosures

Type 3R Telephone Termination Cabinets Data Sheet

Type 3/3R Enclosures



Construction

- Cabinet and door are fabricated from 14 gauge galvaneal steel
- Knockouts are furnished on the bottom end for access into the cable splicing compartment, (refer to drawing)
- Door is held rigid with stiffeners
- Door is secured to the body with a continuous hinge and stainless steel pin on one side and a hex head flush latch on the opposite side
- Fixed barrier with access knockouts and separate cover isolates the cable splicing compartment
- .75 thick plywood back board is factory mounted

Finish

- Wash and phosphate undercoat
- ANSI 61 gray acrylic electrocoat finish

Accessories

- Terminal blocks
- Touch-up paint
- See Accessories section

Application

- Used as telephone and communication cable termination cabinet

Standards

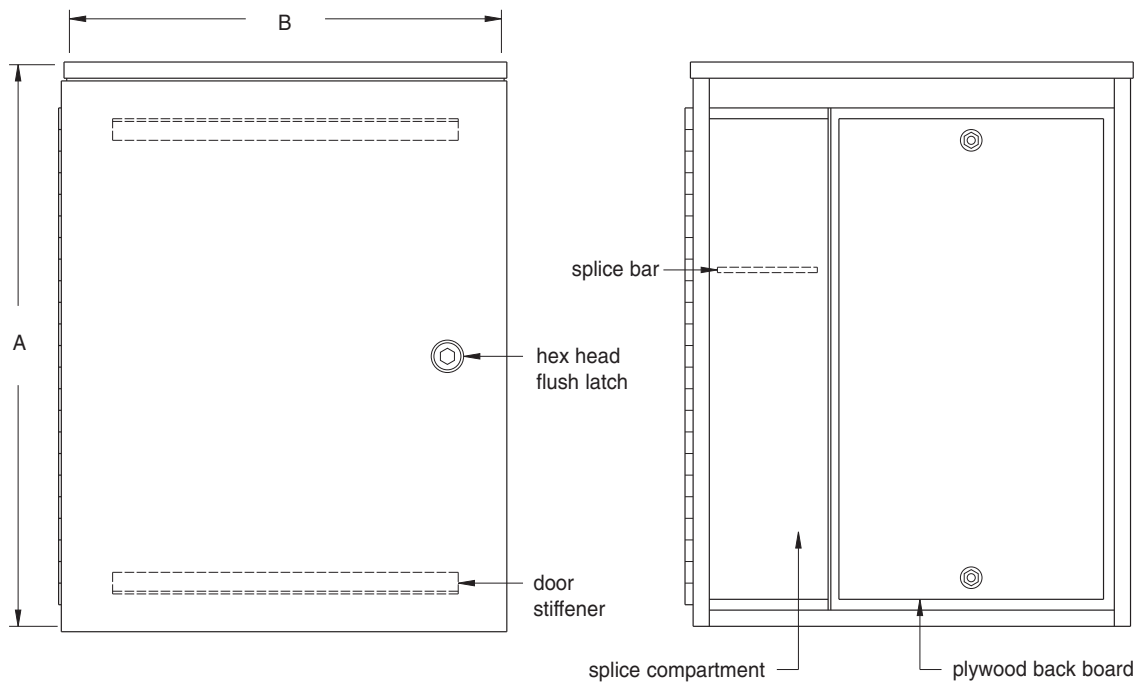
- Conforms to Mountain Bell Standard
- Conforms to NEMA standard for Type 3R
- IEC 60529, IP32

Cabinet Catalog Number	Cabinet Size		Wood Panel Size	
	Height x Width x Depth A x B x C		Height in.	Width mm
	in.	mm		
26245 MBTC	26.00x24.00x5.00	660x610x127	23.00x15.00	584x381
36305 MBTC	36.00x30.00x5.00	914x762x127	33.00x21.00	838x533
36365 MBTC	36.00x36.00x5.00	914x914x127	33.00x27.00	838x686
26246 MBTC	26.00x24.00x6.00	660x610x152	23.00x15.00	584x381
36306 MBTC	36.00x30.00x6.00	914x762x152	33.00x21.00	838x533
36366 MBTC	36.00x36.00x6.00	914x914x152	33.00x27.00	838x686

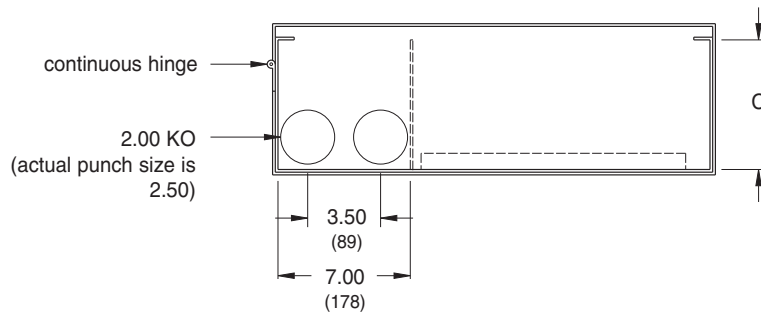
Notes: Cooper B-Line can provide special sizes, finishes and other modifications. Consult the factory for your special requirements.

Type 3 / 3R Enclosures

Type 3R Telephone Termination Cabinets Illustration Sheet



Type 3/3R Enclosures



Cabinet Bottom
(door removed)

Notes: Dimensions are in inches. Millimeters shown are for reference only. Data subject to change without notice.

Type 3 / 3R Enclosures

Notes

A large grid of graph paper for taking notes, consisting of 20 columns and 30 rows of small squares.

Type 3/3R Enclosures